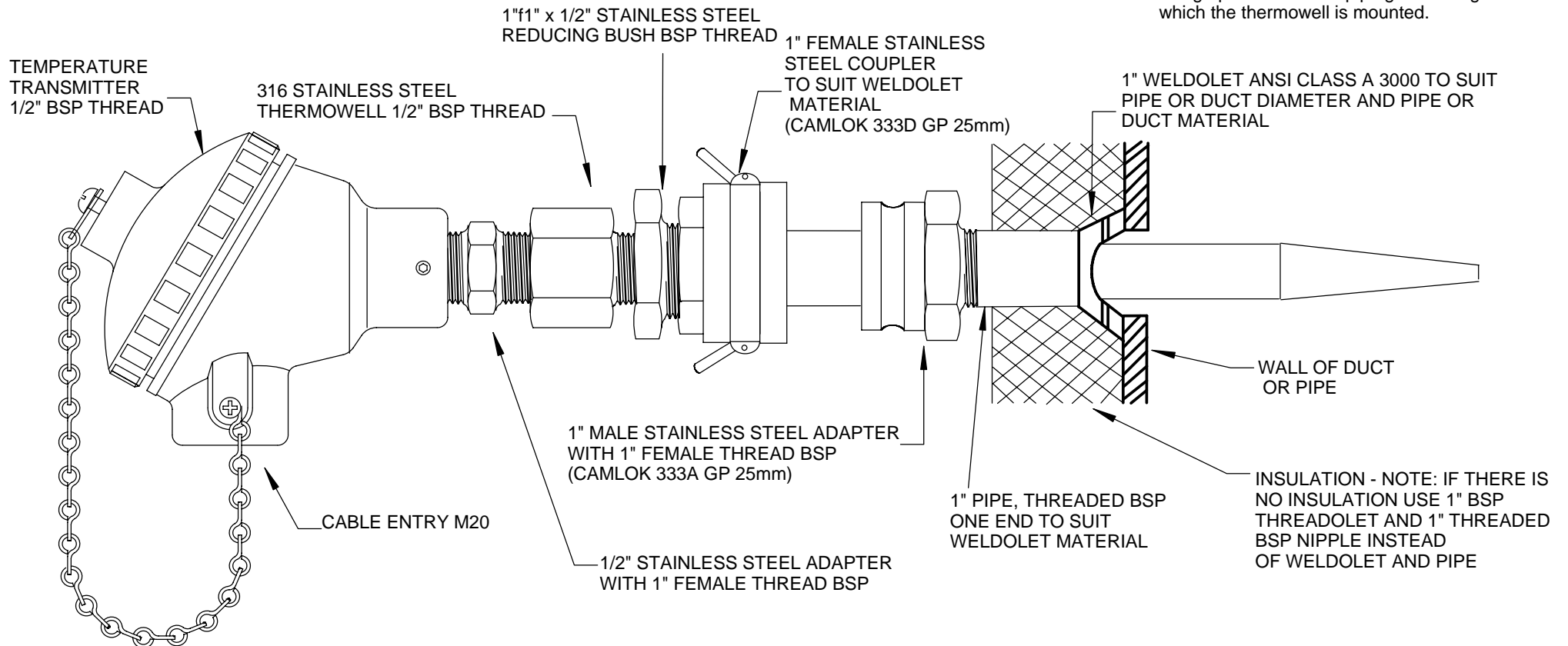


Note:  
1. Ensure all components used are rated to meet or exceed the design temperature and design pressure of the piping or ducting to which the thermowell is mounted.



- TYPE K THERMOCOUPLE
- TYPE J THERMOCOUPLE
- TYPE T THERMOCOUPLE
- TYPE N THERMOCOUPLE
- 3 WIRE RTD PT100
- 4 WIRE RTD PT100
- OPTION - Ex ia  
Compliance with ANSI AS/NZS 60079. 11.2006 Explosive Atmospheres,  
Intrinsic safety Ex ia (1047 RTD & TC)

**LARGE CAST ALUMINIUM HEAD IP65  
BAR STOCK TAPER  
DESIGN THERMOWELL**

**TEMPERATURE CONTROLS PTY LTD** Certificate No: QEC 14412  
AS/NZS 9001:2000

**CONDITIONS**

THIS DRAWING IS OUR EXCLUSIVE PROPERTY AND MUST NOT BE COPIED OR HANDED TO ANY OTHER PARTIES WITH OUT WRITTEN PERMISSION. IT SHALL BE RETURNED UPON REQUEST

SYDNEY : 7 YAMMA ST SEFTON , NSW 2162  
PHONE : (02) 9721 8644 FAX : (02) 9738 9339  
MELBOURNE : 8/280 Whitehall St  
YARRAVILLE VIC 3013  
PHONE : (03) 9687 0000 FAX : (03) 9687 1900  
EMAIL : sales@temperature.com.au



TITLE

SIZE : A4	DATE : 26/10/10	<b>DWG NO : SD 821</b>
SCALE : NTS	DRAWING BY R.B	<b>REV : 00</b>